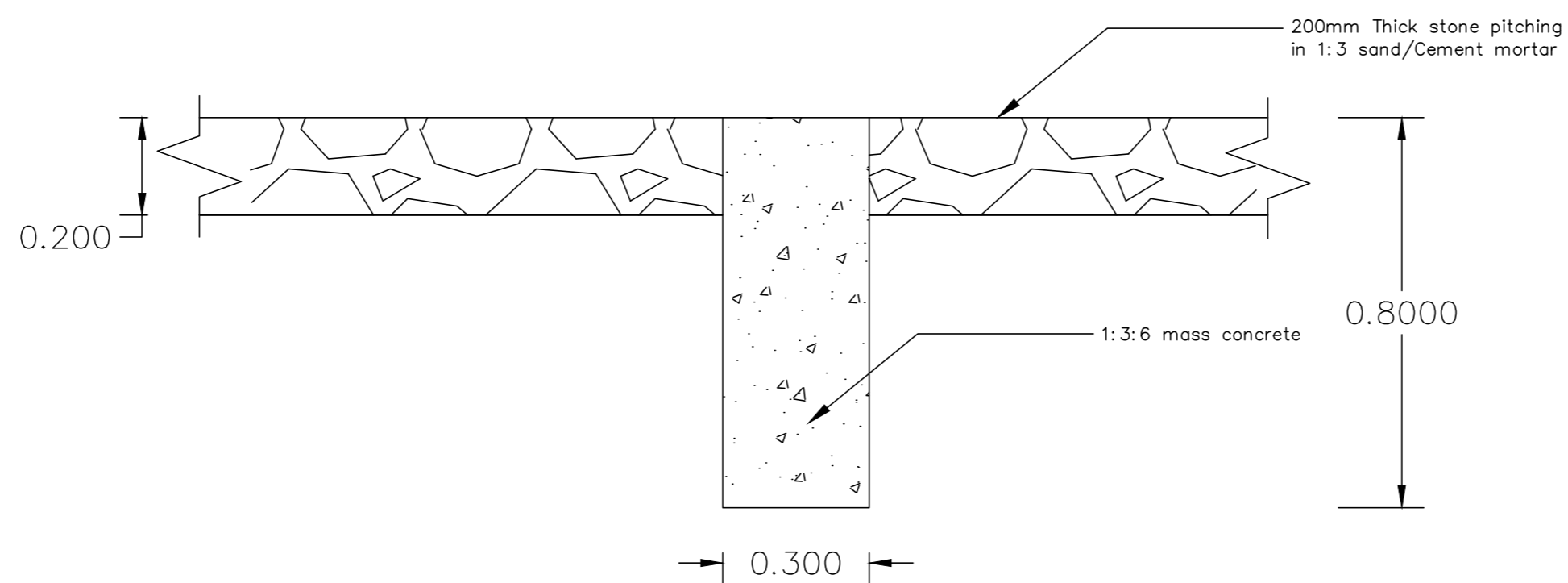


SPILLWAY CONCRETE SILL
(Scale: 1:30)



SECTION X-X
SPILLWAY CONCRETE SILL
(Scale: 1:10)

REVISION	
DATE	DESCRIPTION

REFERENCE DRAWINGS	
DRG. No.	DESCRIPTION

Mwingi North Sub County
NGENGI EARTH DAM
CONSTRUCTION

SCALE: 1:750 Sheet 2 of 4

FIGURED DIMENSIONS ONLY TO BE TAKEN FROM THIS DRAWING

SURVEYED BY	Mulwa/Kamwila	DATE: Jan 2020
DIGITIZED BY	M. M. Mulwa	DATE: Jan 2020
CHECKED BY		
DESIGNED BY	M. M. Mulwa	DATE: Jan 2020
CHECKED BY		