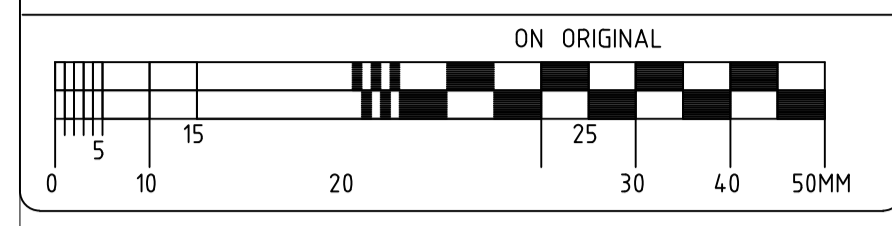


ALL DIMENSIONS AND LEVELS ARE TO BE VERIFIED ON SITE BY THE CONTRACTOR BEFORE COMMENCING ANY WORK.

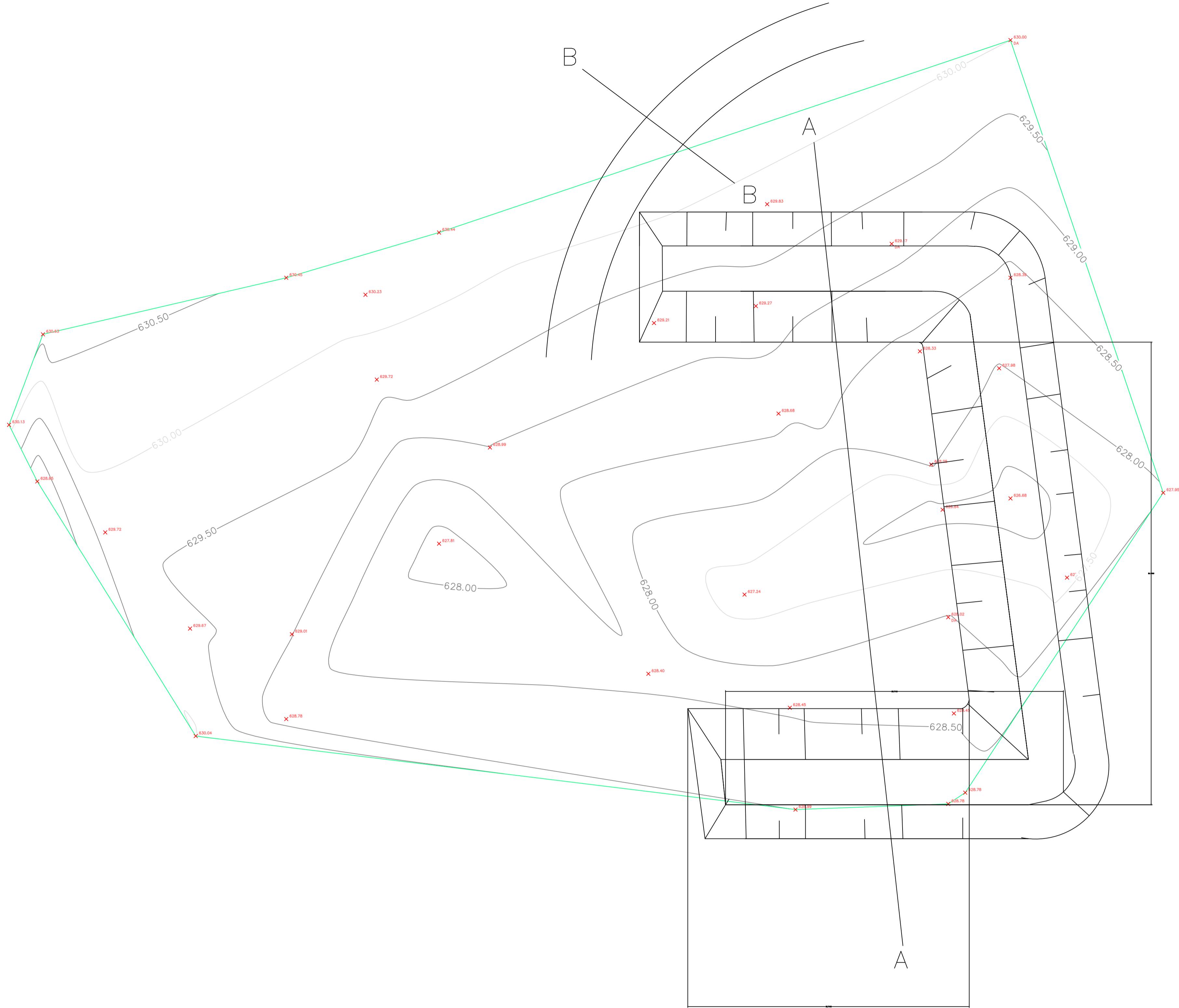
THE COPYRIGHT IN THIS DRAWING, INCLUDING THE DESIGN AND DETAILS SHOWN HEREON, IS RESERVED BY THE ENGINEERS.

THIS DRAWING IS NOT TO BE USED IN WHOLE OR PART OTHER THAN FOR THE INTENDED, PURPOSE AND PROJECT, AS DEFINED ON THIS DRAWING. REFER TO THE CONTRACT FOR FULL TERMS AND CONDITIONS.



GENERAL NOTES:

- DAM DATA
- Catchment area - 5 Km<sup>2</sup>
  - Annual rainfall - 600mm av.
  - Dam storage volume - 11,000 m<sup>3</sup>
  - Volume of excavation - 8,103 m<sup>3</sup>
  - Spill way
    - Length - 65 m
    - Width - 8 m
    - Type - Trapezoidal, slope 1:1
    - Gross Free Board 1.5 m
  - PAN
    - Base dimension 50 m x 83 m
    - Top dimensions 68 m x 101 m



No	DATE	DETAILS REVISIONS	Chd	Appd

CLIENT  
**THE GOVERNMENT OF MAKUENI COUNTY**  
**DEPARTMENT OF WATER AND SANITATION**

Consultant Signature  
 Drawn: [Signature] Checked: KISWII A. M. Designed: [Signature]

Project  
 KATAA WATER PAN

Description  
 WATER PAN

Scale **1:40\_A1** Date Sept 2020

Project No / Drg. No **L02(R1)**

