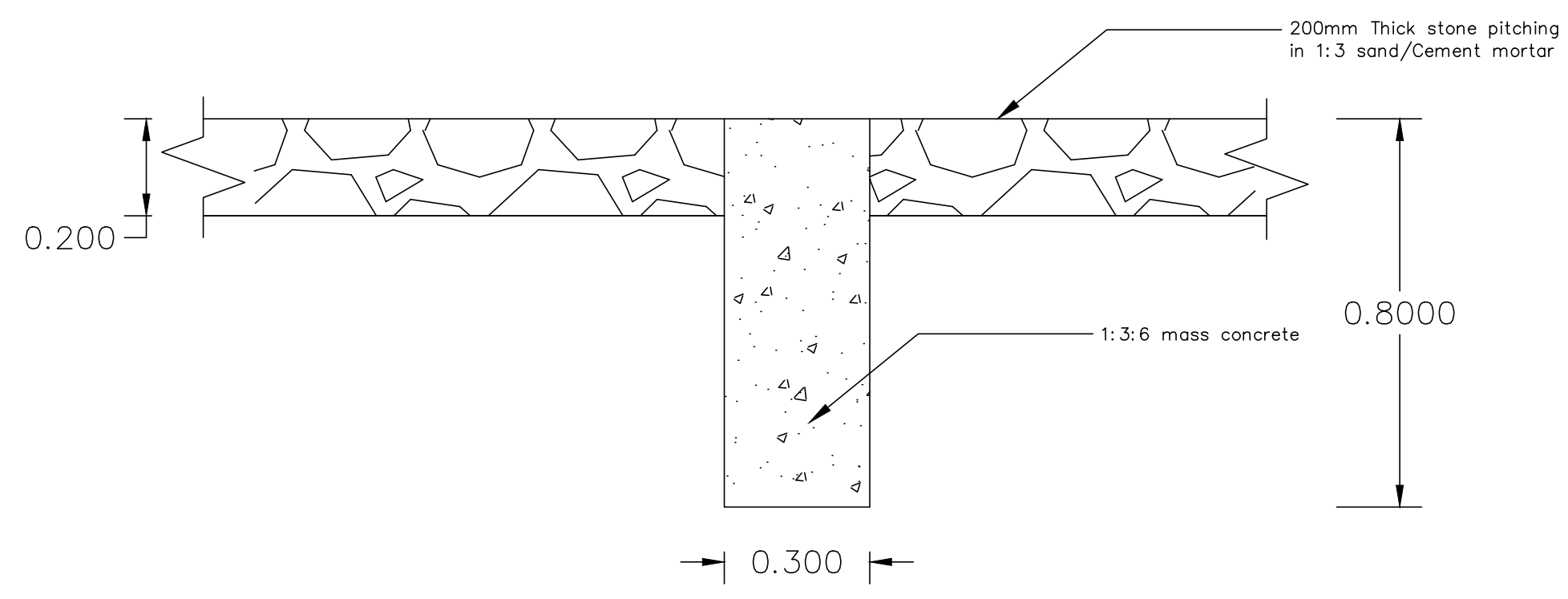


SPILLWAY CONCRETE SILL
(Scale: 1:40)



SECTION X-X
SPILLWAY CONCRETE SILL
(Scale: 1:10)

REVISION	
DATE	DESCRIPTION

REFERENCE DRAWINGS	
ORG. No.	DESCRIPTION

Kitui East Sub County
KALILUNI EARTH DAM
CONSTRUCTION

SCALE: 1:500 Sheet 3 of 4

FIGURED DIMENSIONS ONLY TO BE TAKEN FROM THIS DRAWING

SURVEYED BY	Mulwa/Kamwila	DATE: Jan 2020
DIGITIZED BY	M. M. Mulwa	DATE: Jan 2020
CHECKED BY		
DESIGNED BY	M. M. Mulwa	DATE: Jan 2020
CHECKED BY		