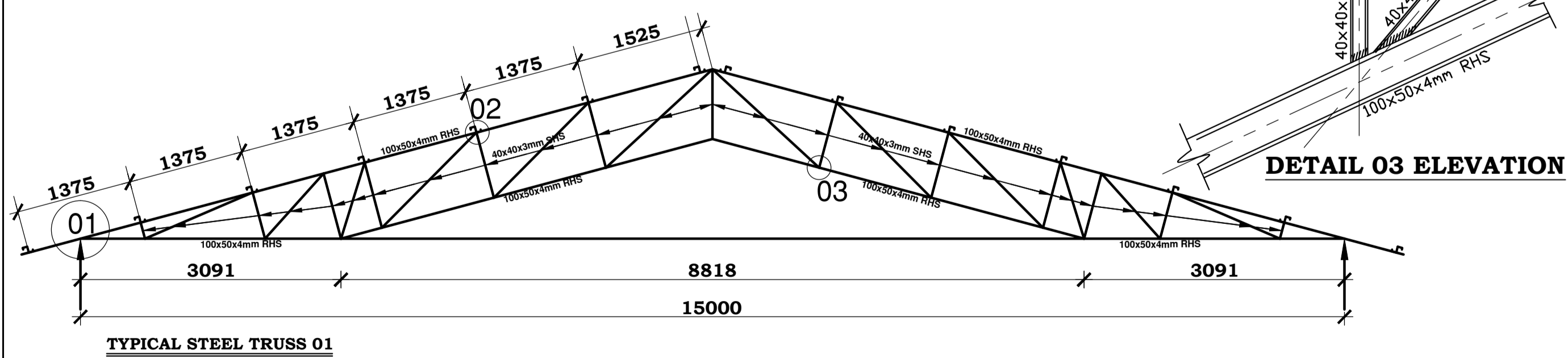
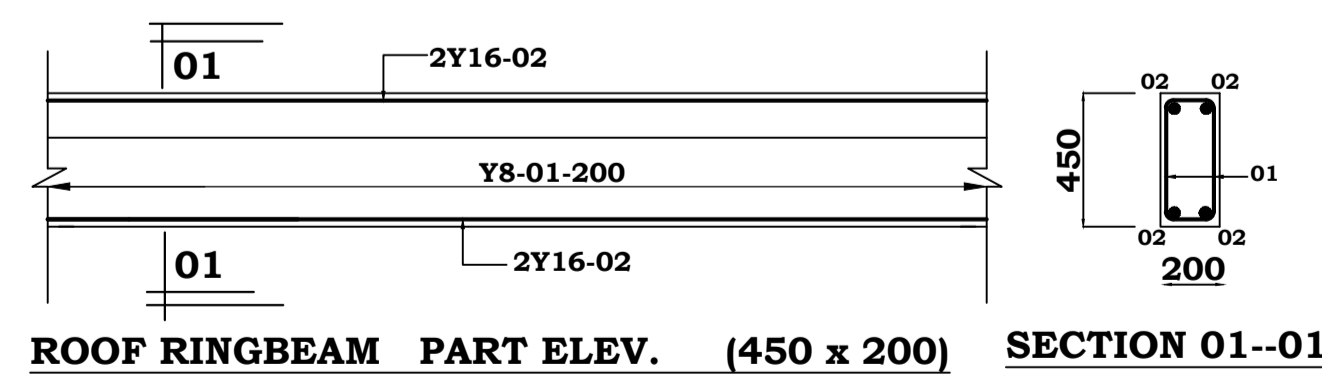


ROOF LAYOUT PLAN AND DETAILS (SCALE 1:50)

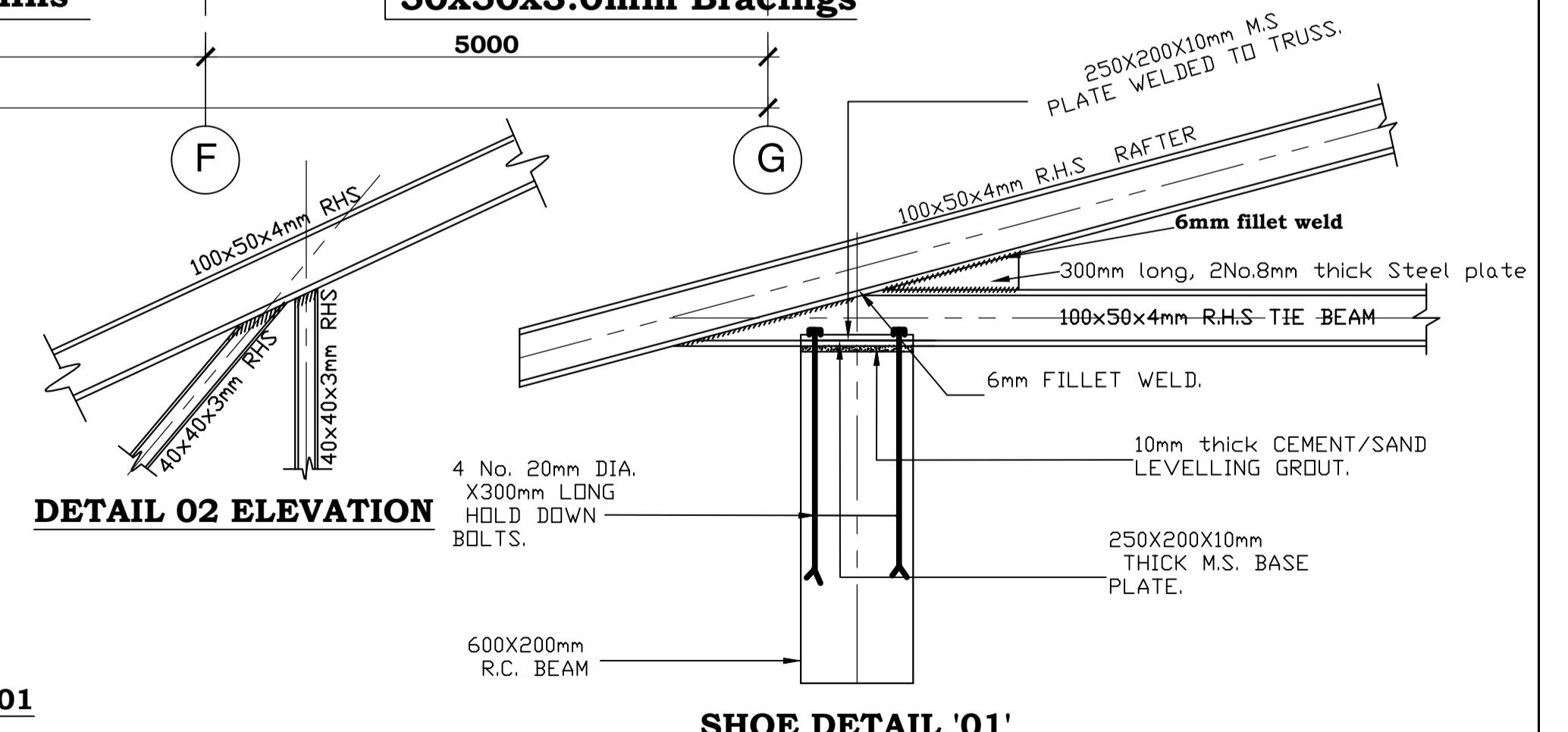


TYPICAL STEEL TRUSS 01

DETAIL 03 ELEVATION



ROOF RINGBEAM PART ELEV. (450 x 200) SECTION 01-01



DETAIL 02 ELEVATION

SHOE DETAIL '01'

NOTES

- All dimensions are in mm unless otherwise stated.
- All reinforcements must be checked and approved by project structural engineer prior to concreting.
- All reinforced concrete to be class 25/20
- Only figured dimensions to be taken from this drawing.
- Any discrepancy in dimensions to be reported to the project consultants i.e architect or engineer
- All steel work to conform to BS4360 grade 43 steel
- All welds shall be continuous fillet welding to BS 5135
- All bolts and fixings shall be black bolts grade 4.6 to BS4190
- All fabrications and connections details to be provided by the steel fabricator for the approval of the Project Engineer prior to commencement of fabrication
- All dimensions to be confirmed on site before any cutting and fabrications commences
- Welding shall be carried out in accordance with BS 5135 and electrodes shall comply with BS 639
- All bolted connections shall be made with the appropriate washers under both the bolt head and nut
- After fabrication of the steel work all surfaces shall be painted with 2 sets of red oxide primer
- After transit and erection all damaged paintwork or coating shall be repaired to the engineers satisfaction
- Roof pitch to be 15 degree

CLIENT
KENYA CEREALS ENHANCEMENT PROGRAM ,
CLIMATE RESILIENT AGRICULTURE LIVELIHOOD
WINDOW (KCEP-CRAL PROJECTS)

PROJECT TITLE
PROPOSED MAUCHE FARMER-OWNED STORAGE
FACILITY ON NJORO SUB-COUNTY, NAKURU COUNTY

DRAWING TITLE
ROOF LAYOUT DETAILS

SCALE(S) 1:50 1:25		FIGURED DIMENTIONS ONLY TO BE TAKEN FROM THIS DRAWING	
NAME	SIGNATURE	DATE	
DESIGNED BY D. Sitol		March 2018	
DRAWN BY K.Kigen		March 2018	
CHECKED BY D. Sitol		March 2018	
DRG No.	STR / 02		