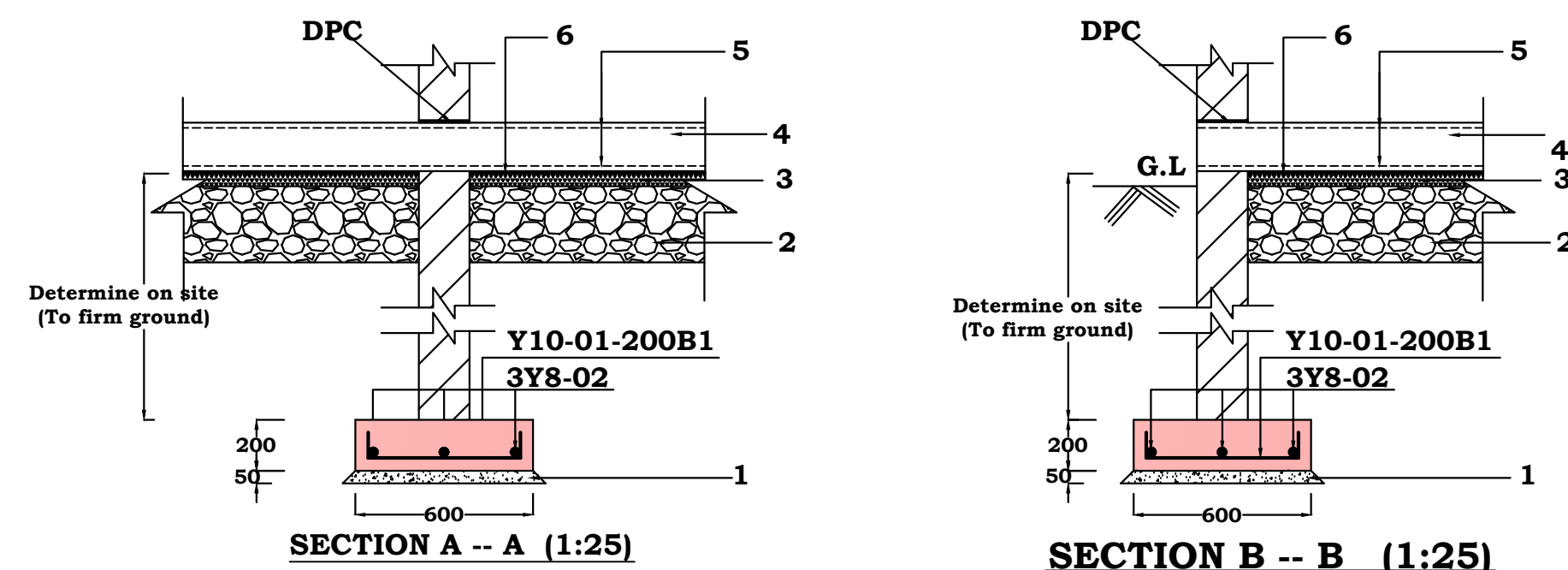


FOUNDATION GENERAL ARRANGEMENT DETAILS (SCALE 1:50)

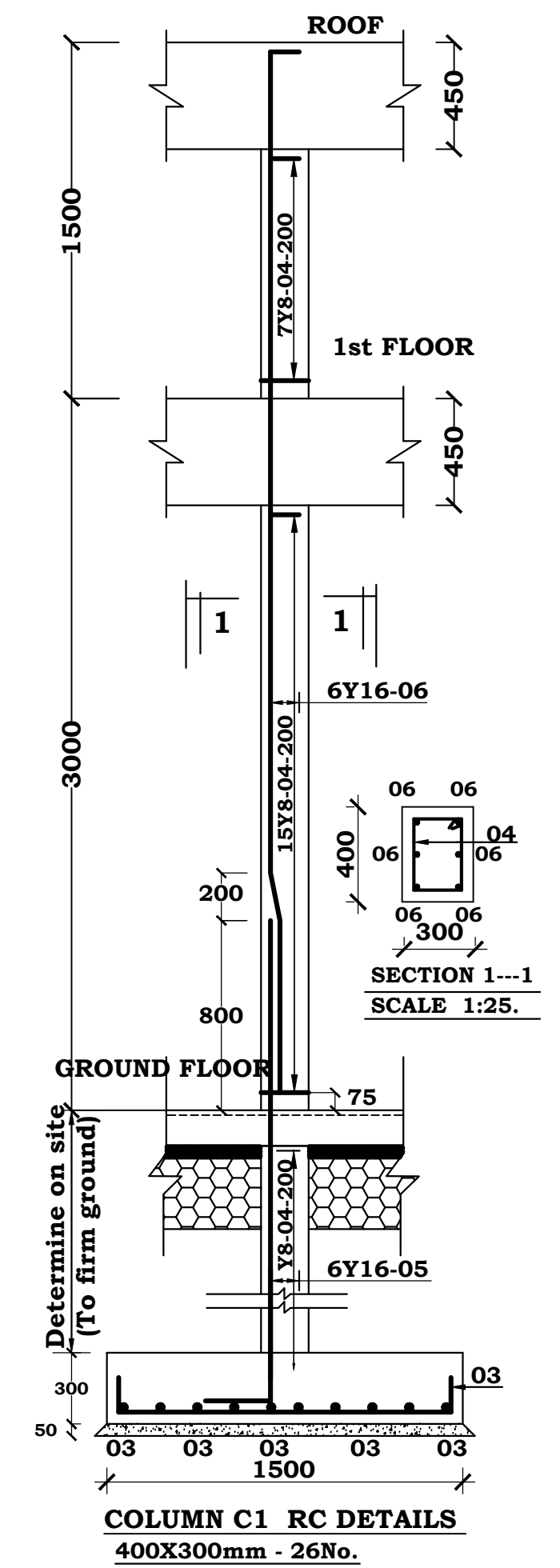


SECTION A -- A (1:25)

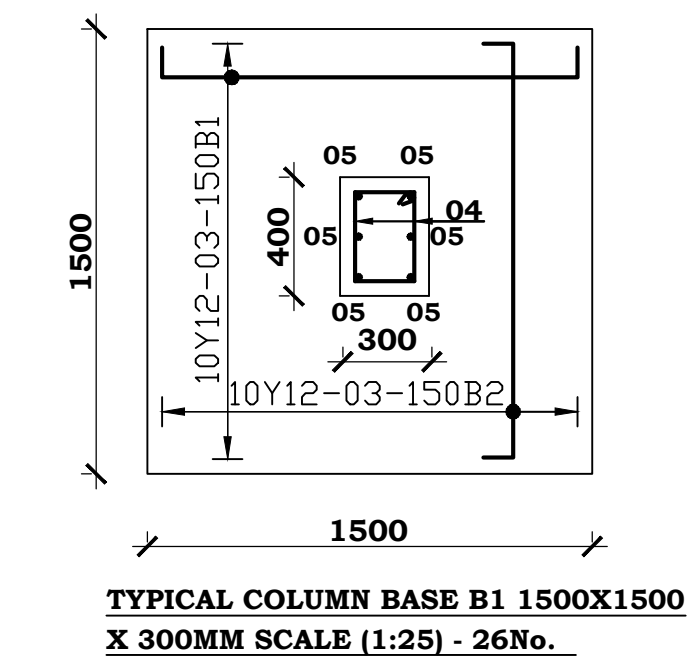
SECTION B -- B (1:25)

KEY TO FOUNDATION SECTION DETAILS

1. -Blinding concrete (1:4:8)
2. - 300mm Well Compacted Approved Hardcore (Compacted in layers of 150mm)
3. - 50mm Murrum Blinding
4. - 150mm Thick Slab
5. - A142 BRC Mesh - 2 Layers (Top & Bottom)
6. - 500mm Gauge Damp Proof Membrane (DPM)



COLUMN C1 RC DETAILS
400X300mm - 26No.



TYPICAL COLUMN BASE B1 1500X1500
X 300MM SCALE (1:25) - 26No.

NOTES

1. This drawing is to be read in conjunction with all other relevant Architectural / Structural drawings.
2. Figured dimensions only to be taken and all dimensions are in millimetres unless stated otherwise.
3. Structural concrete to be class 25/20
Concrete Cover to reinforcement including links;
Foundations = 50mm
Columns = 40mm
Beams = 25mm
4. Reinforcement Steel to be ;
Y- square twisted high yield bars to BS 4461.
R- round mild bars to BS 4461
5. Foundation depth to be determined on site but to be a minimum of 1200mm and must be to firm bearing strata. (Min. 80 KN/M2)

CLIENT
KENYA CEREALS ENHANCEMENT PROGRAM ,
CLIMATE RESILIENT AGRICULTURE LIVELIHOOD
WINDOW (KCEP-CRAL) PROJECTS.

PROJECT TITLE
PROPOSED MAUCHE FARMER-OWNED STORAGE
FACILITY ON NJORO SUB-COUNTY, NAKURU COUNTY

DRAWING TITLE
FOUNDATION GENERAL ARRANGEMENT ,
COLUMNBASES , COLUMNS & R.C DETAILS

SCALE(S) 1:50 1:25		FIGURED DIMENTIONS ONLY TO BE TAKEN FROM THIS DRAWING	
NAME	SIGNATURE	DATE	
DESIGNED BY D. Sitol		March 2018	
DRAWN BY K.Kigen		March 2018	
CHECKED BY D. Sitol		March 2018	
DRG.No. STR / 01			